

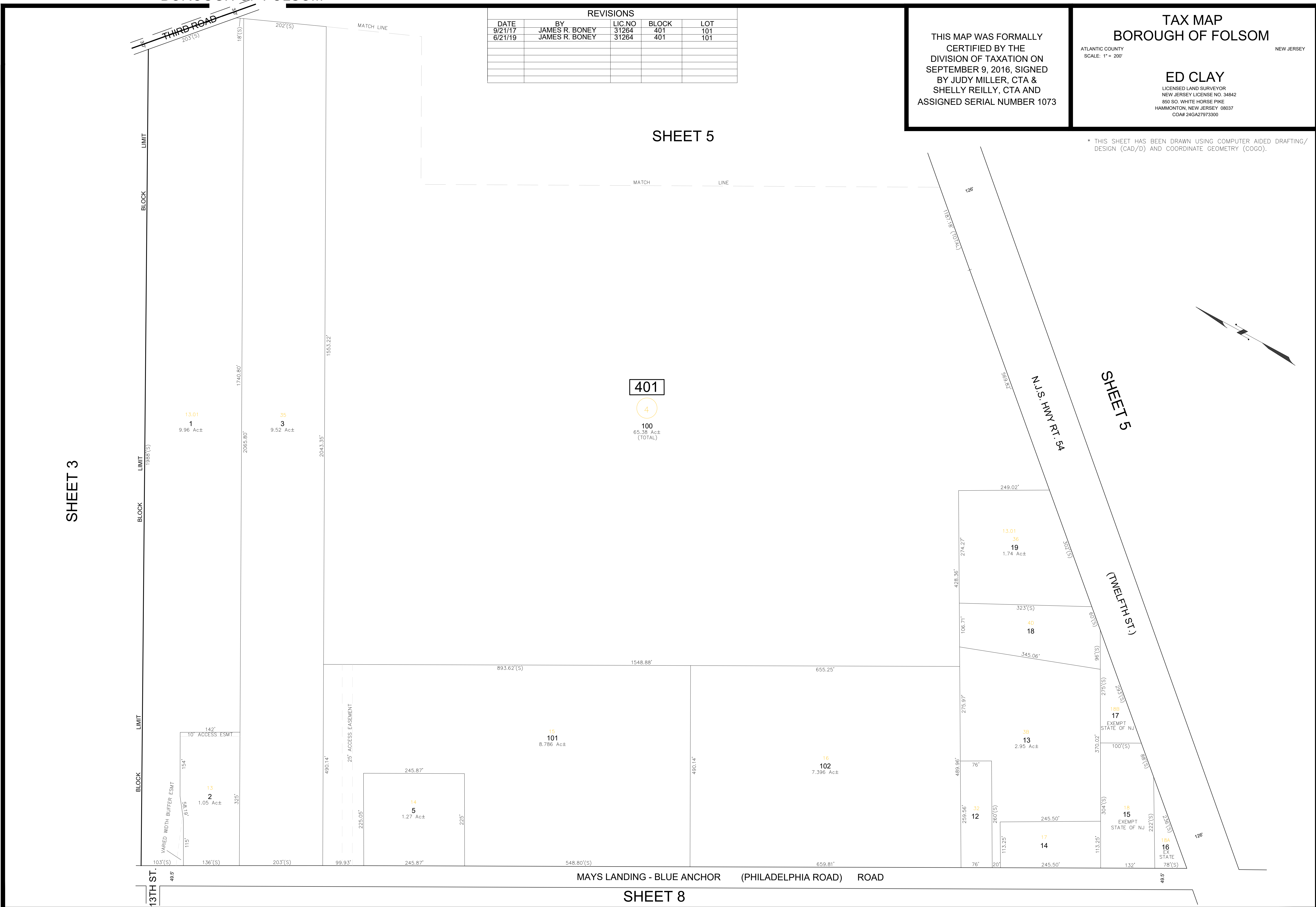
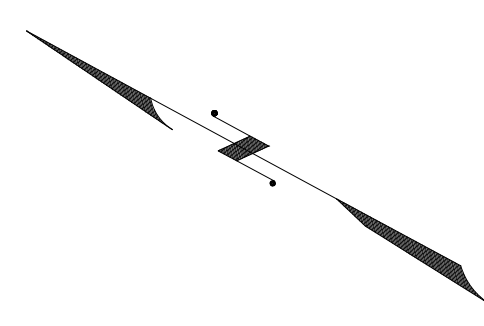
REVISIONS				
DATE	BY	LIC. NO.	BLOCK	LOT
9/21/17	JAMES R. BONEY	31264	401	101
6/21/19	JAMES R. BONEY	31264	401	101

THIS MAP WAS FORMALLY  
CERTIFIED BY THE  
DIVISION OF TAXATION ON  
SEPTEMBER 9, 2016, SIGNED  
BY JUDY MILLER, CTA &  
SHELLY REILLY, CTA AND  
ASSIGNED SERIAL NUMBER 1073

**TAX MAP**  
**BOROUGH OF FOLSOM**  
ATLANTIC COUNTY  
SCALE: 1" = 200'  
NEW JERSEY  
**ED CLAY**  
LICENSED LAND SURVEYOR  
NEW JERSEY LICENSE NO. 34842  
850 SO. WHITE HORSE PIKE  
HAMMONTON, NEW JERSEY 08037  
COA# 24GA27973300

SHEET 5

\* THIS SHEET HAS BEEN DRAWN USING COMPUTER AIDED DRAFTING/  
DESIGN (CAD/D) AND COORDINATE GEOMETRY (COGO).



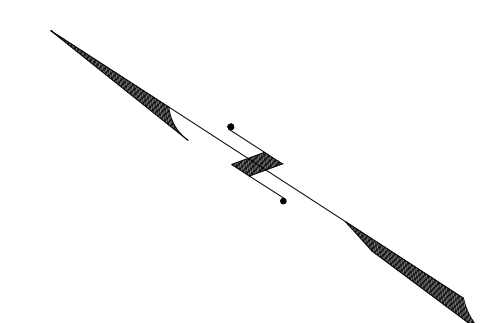
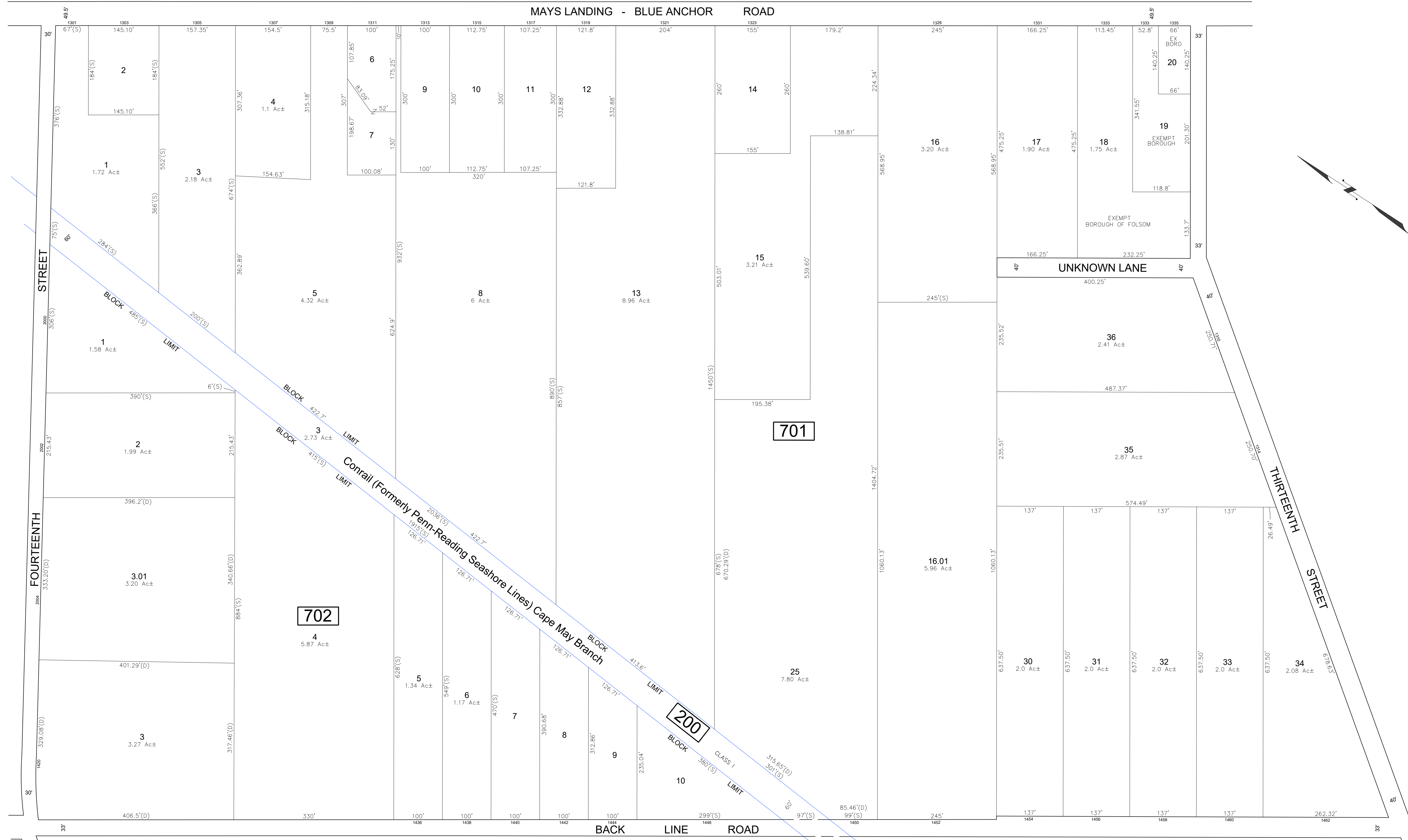
SHEET 3

SHEET 5

SHEET 8

SHEET 3

MAYS LANDING - BLUE ANCHOR ROAD



SHEET 2

SHEET 8

SHEET 10

SHEET 11

\* THIS SHEET HAS BEEN DRAWN USING COMPUTER AIDED DRAFTING/ DESIGN (CAD/D) AND COORDINATE GEOMETRY (COGO).

REVISIONS				
DATE	BY	LIC. NO.	BLOCK	LOT
9/21/17	JAMES R. BONEY	31264	701	15 / 25
6/21/19	JAMES R. BONEY	31264	702	3 / 3.01

THIS MAP WAS FORMALLY CERTIFIED BY THE DIVISION OF TAXATION ON SEPTEMBER 9, 2016, SIGNED BY JUDY MILLER, CTA & SHELLY REILLY, CTA AND ASSIGNED SERIAL NUMBER 1073

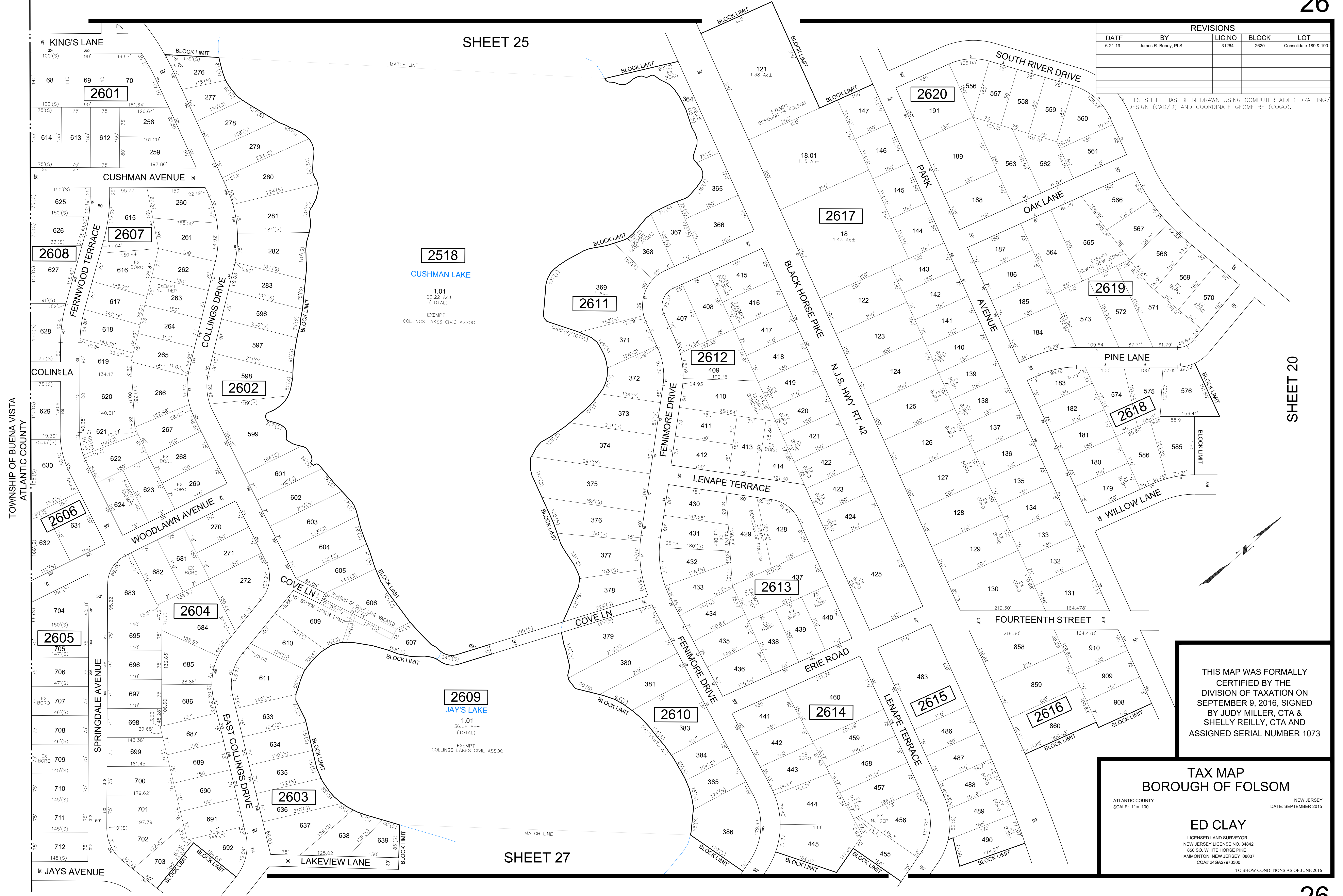
**TAX MAP**  
**BOROUGH OF FOLSOM**  
 ATLANTIC COUNTY NEW JERSEY  
 SCALE: 1" = 200'  
**ED CLAY**  
 LICENSED LAND SURVEYOR  
 NEW JERSEY LICENSE NO. 34842  
 850 SO. WHITE HORSE PIKE  
 HAMMONTON, NEW JERSEY 08037  
 CO# 24GA27973300



SHEET 25

REVISIONS				
DATE	BY	LIC. NO	BLOCK	LOT
6-21-19	James R. Boney, PLS	31264	2620	Consolidate 189 & 190

THIS SHEET HAS BEEN DRAWN USING COMPUTER AIDED DRAFTING/ DESIGN (CAD/D) AND COORDINATE GEOMETRY (COGO).



TOWNSHIP OF BUENA VISTA  
ATLANTIC COUNTY

SHEET 20

SHEET 27

THIS MAP WAS FORMALLY  
CERTIFIED BY THE  
DIVISION OF TAXATION ON  
SEPTEMBER 9, 2016, SIGNED  
BY JUDY MILLER, CTA &  
SHELLY REILLY, CTA AND  
ASSIGNED SERIAL NUMBER 1073

**TAX MAP**  
**BOROUGH OF FOLSOM**

ATLANTIC COUNTY  
SCALE: 1" = 100'

NEW JERSEY  
DATE: SEPTEMBER 2015

**ED CLAY**  
LICENSED LAND SURVEYOR  
NEW JERSEY LICENSE NO. 34842  
850 SO. WHITE HORSE PIKE  
HAMMONTON, NEW JERSEY 08037  
COAP# 24GAZ797300  
TO SHOW CONDITIONS AS OF JUNE 2016



### TAX MAP BOROUGH OF FOLSOM

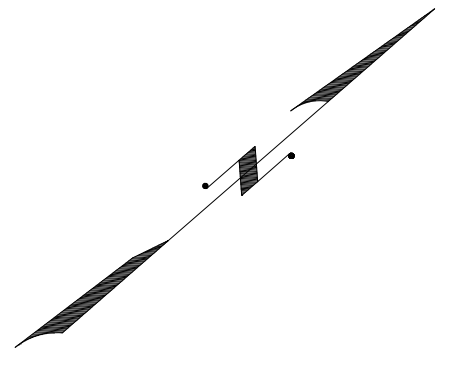
ATLANTIC COUNTY NEW JERSEY  
SCALE: 1" = 100' DATE: SEPTEMBER 2015

### ED CLAY

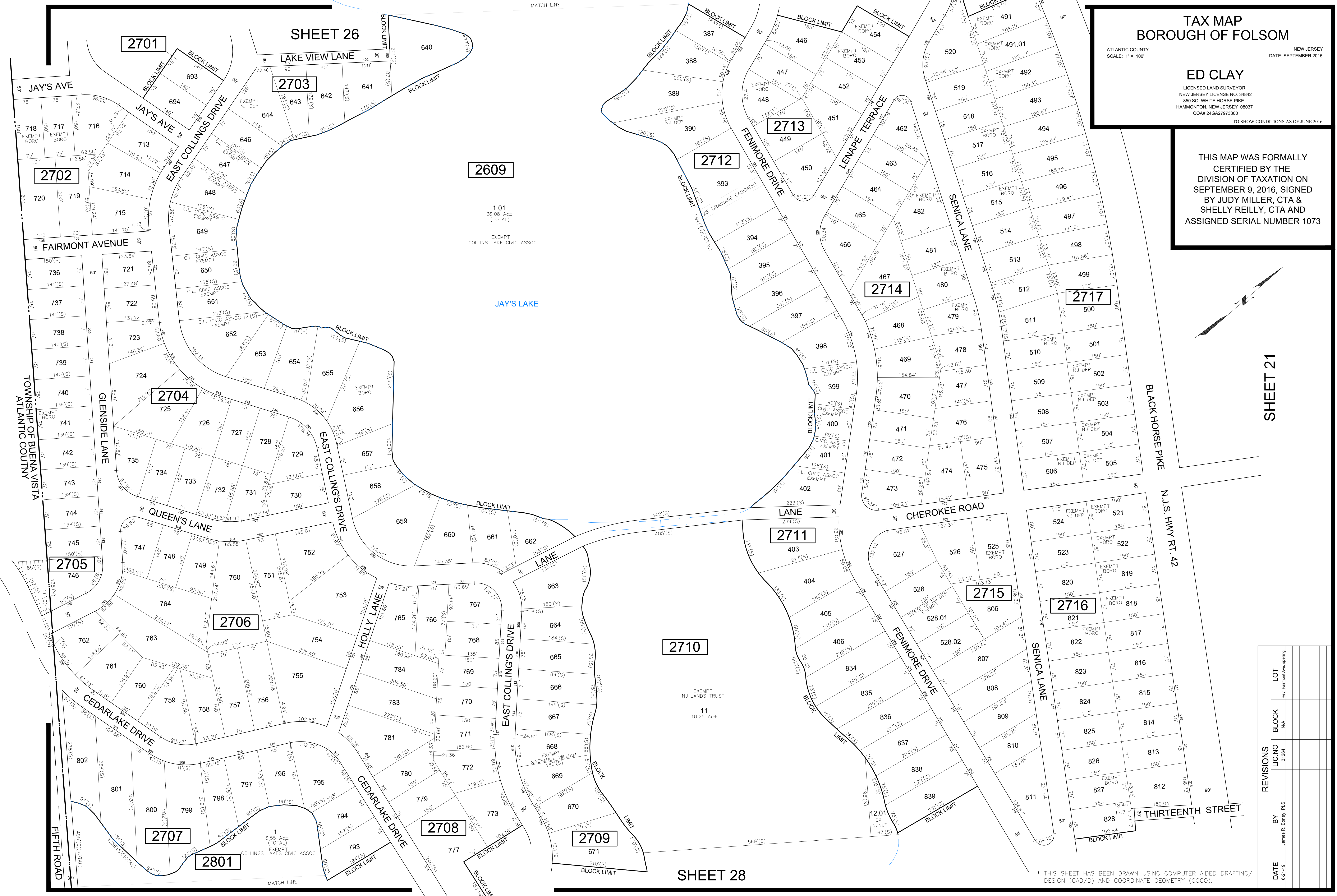
LICENSED LAND SURVEYOR  
NEW JERSEY LICENSE NO. 34842  
850 SO. WHITE HORSE PIKE  
HAMMONTON, NEW JERSEY 08037  
CO#A# 24GA2797300

TO SHOW CONDITIONS AS OF JUNE 2016

THIS MAP WAS FORMALLY  
CERTIFIED BY THE  
DIVISION OF TAXATION ON  
SEPTEMBER 9, 2016, SIGNED  
BY JUDY MILLER, CTA &  
SHELLY REILLY, CTA AND  
ASSIGNED SERIAL NUMBER 1073



SHEET 21



SHEET 28

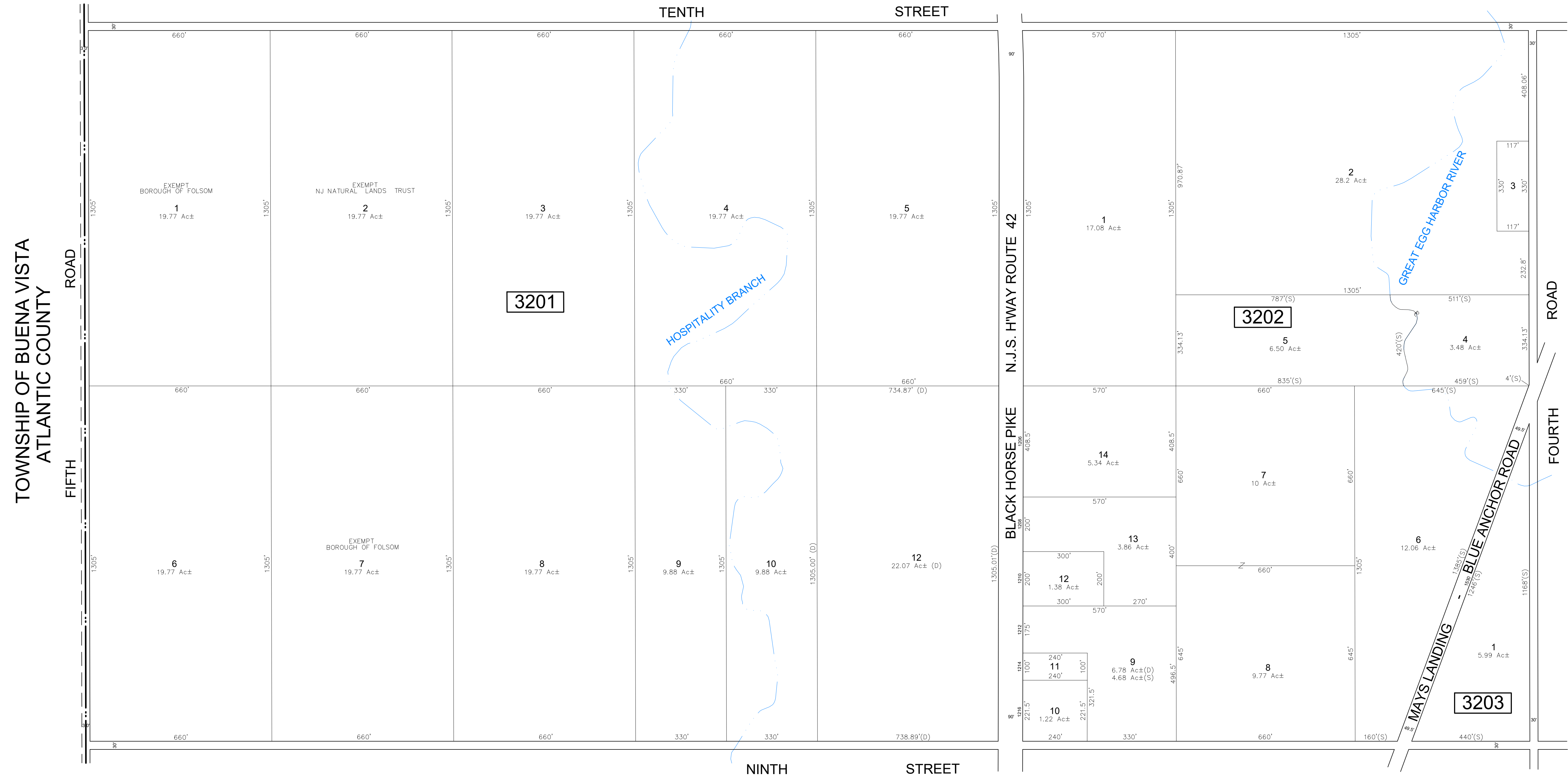
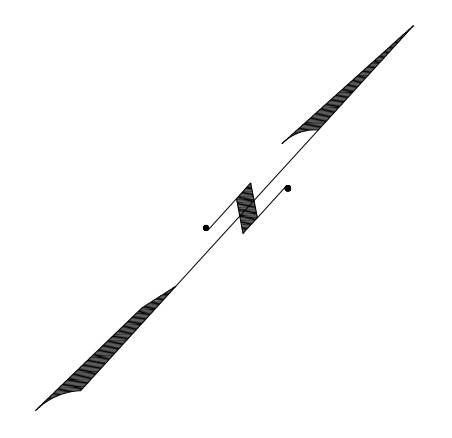
DATE	BY	REVISIONS	LIC. NO.	BLOCK	LOT
6-21-19	James R. Boney, PLS		31261	N/A	Rev. Fairmont Ave. spelling

\* THIS SHEET HAS BEEN DRAWN USING COMPUTER AIDED DRAFTING/ DESIGN (CAD/D) AND COORDINATE GEOMETRY (COGO).



REVISIONS				
DATE	BY	LIC.NO	BLOCK	LOT
6-21-19	James R. Boney, PLS	31264	3201	Consolidate 11 & 12

SHEET 31



SHEET 16

SHEET 33

\* THIS SHEET HAS BEEN DRAWN USING COMPUTER AIDED DRAFTING/ DESIGN (CAD/D) AND COORDINATE GEOMETRY (COGO).

THIS MAP WAS FORMALLY CERTIFIED BY THE DIVISION OF TAXATION ON SEPTEMBER 9, 2016, SIGNED BY JUDY MILLER, CTA & SHELLY REILLY, CTA AND ASSIGNED SERIAL NUMBER 1073

**TAX MAP**  
**BOROUGH OF FOLSOM**

ATLANTIC COUNTY  
 SCALE: 1" = 200'

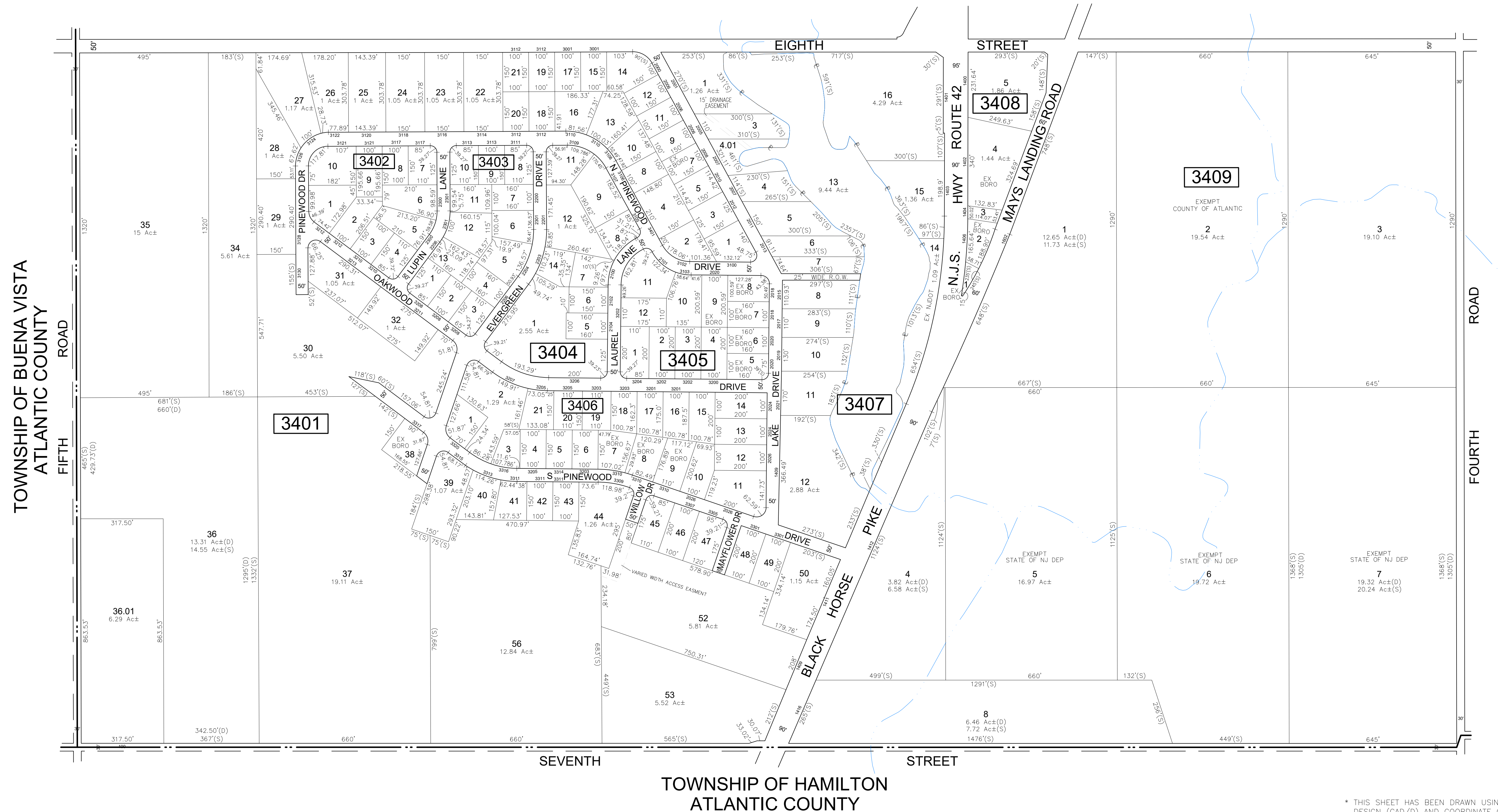
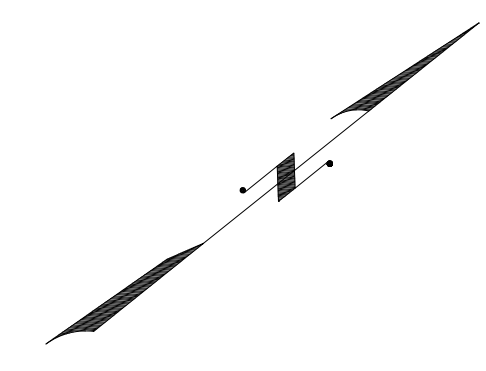
NEW JERSEY  
 DATE: SEPTEMBER 2015

**ED CLAY**  
 LICENSED LAND SURVEYOR  
 NEW JERSEY LICENSE NO. 34842  
 850 SO. WHITE HORSE PIKE  
 HAMMONTON, NEW JERSEY 08037  
 CO# 24GAZ7973300

TO SHOW CONDITIONS AS OF JUNE 2016

REVISIONS				
DATE	BY	LIC.NO	BLOCK	LOT
6-21-19	JAMES R. BONEY, PLS	31264	3401	Consolidate Lots 30 & 33

SHEET 33



SHEET 18

\* THIS SHEET HAS BEEN DRAWN USING COMPUTER AIDED DRAFTING/ DESIGN (CAD/D) AND COORDINATE GEOMETRY (COGO).

THIS MAP WAS FORMALLY  
 CERTIFIED BY THE  
 DIVISION OF TAXATION ON  
 SEPTEMBER 9, 2016, SIGNED  
 BY JUDY MILLER, CTA &  
 SHELLY REILLY, CTA AND  
 ASSIGNED SERIAL NUMBER 1073

**TAX MAP**  
**BOROUGH OF FOLSOM**

ATLANTIC COUNTY  
 SCALE: 1" = 200'

NEW JERSEY  
 DATE: SEPTEMBER 2015

**ED CLAY**  
 LICENSED LAND SURVEYOR  
 NEW JERSEY LICENSE NO. 34842  
 850 SO. WHITE HORSE PIKE  
 HAMMONTON, NEW JERSEY 08037  
 COAP 24GA27973300

TO SHOW CONDITIONS AS OF JUNE 2016